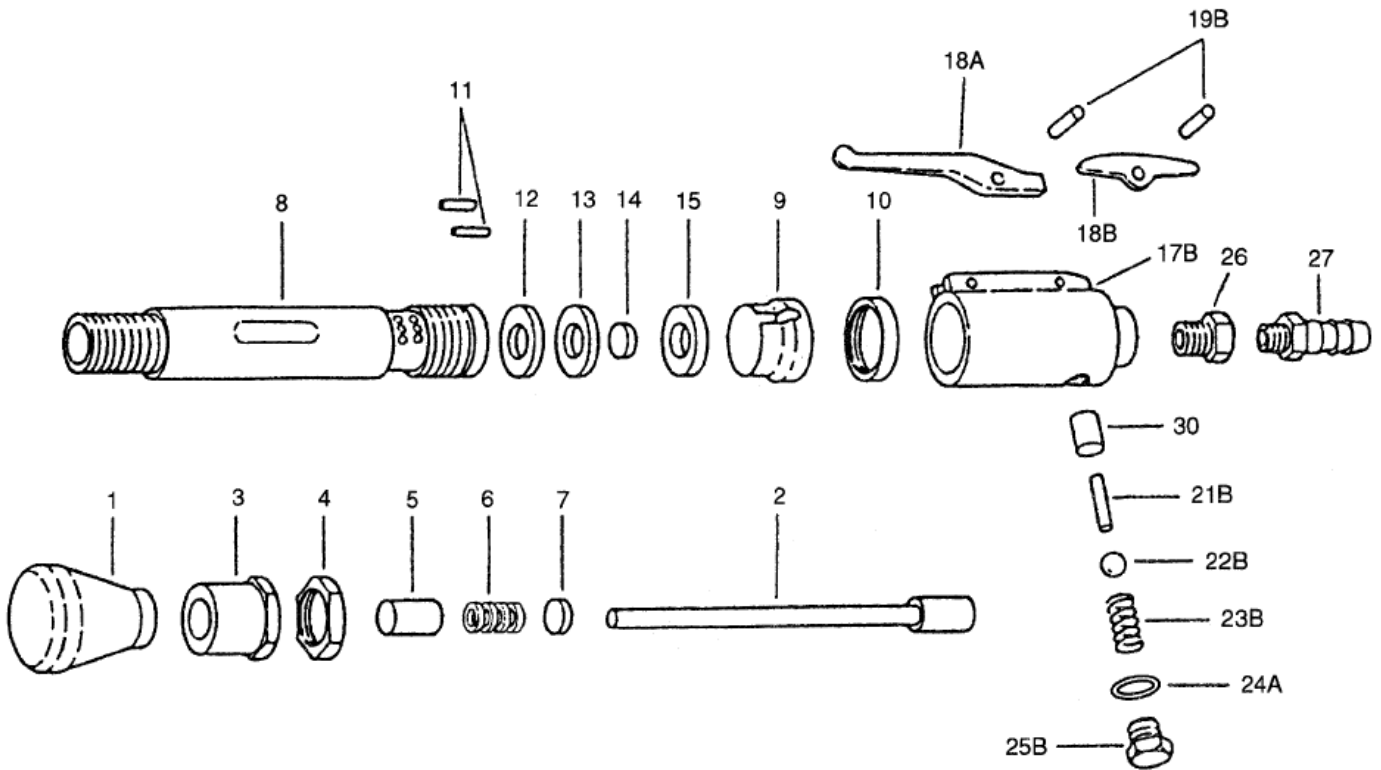


SAND RAMMER

MODEL TB-1N



No.	Part Code	Description	Qty	No.	Part Code	Description	Qty
001	Y31010250	Butt (Rubber)	1	017B	Y31010070	Handle	1
002	Y31010190	Piston	1	018A	Y31010100	Lever (L)	1
003	Y31010210	Gland Nut	1	018B	Y31010080	Lever (S)	1
004	Y31010200	Double Nut	1	019B	Y31010090	Spring Pin	2
005	Y31010240	Outer Bush	1	021B	Y31010060	Valve Pin	1
006	Y31010230	Packing	4	022B	Y10103040	Valve Ball	1
007	Y31010220	Inner Bush	1	023B	Y31010030	Spring	1
008	Y31010180	Cylinder	1	024A	Y10601240	O Ring	1
009	Y31010170	Exhaust Band	1	025B	Y31010020	Valve Cap	1
010	Y31010160	Lock Nut	1	026	Y30101500	Air Inlet	1
011	Y31010150	Valve Knock Pin	2	027	Y10301220	Hose Stem	1
012	Y31010140	Valve Seat (under)	1	030	Y31010050	Valve Sleeve	1
013	Y31010120	Valve Seat (centre)	1	800	Y3101007A	Handle CP	1
014	Y31010130	Valve	1	801	Y3101011A	Valve CP	1
015	Y31010110	Valve Seat (upper)	1		Y3101250S	Butt (Steel)	